

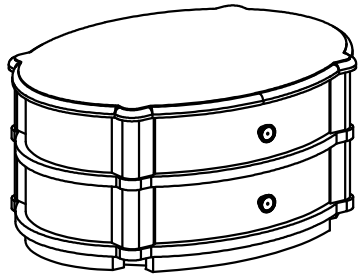
ASSEMBLY INTRUCTION

6244XXX ACCENT TABLE

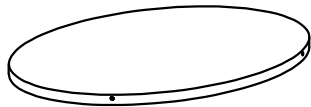
PART LIST

DO NOT FULLY TIGHTEN SCREWS AND NUTS UNTIL THE ENTIRE ITEM IS COMPLETELY ASSEMBLED

A: 1pc



B: 1pc



C: 4 pcs

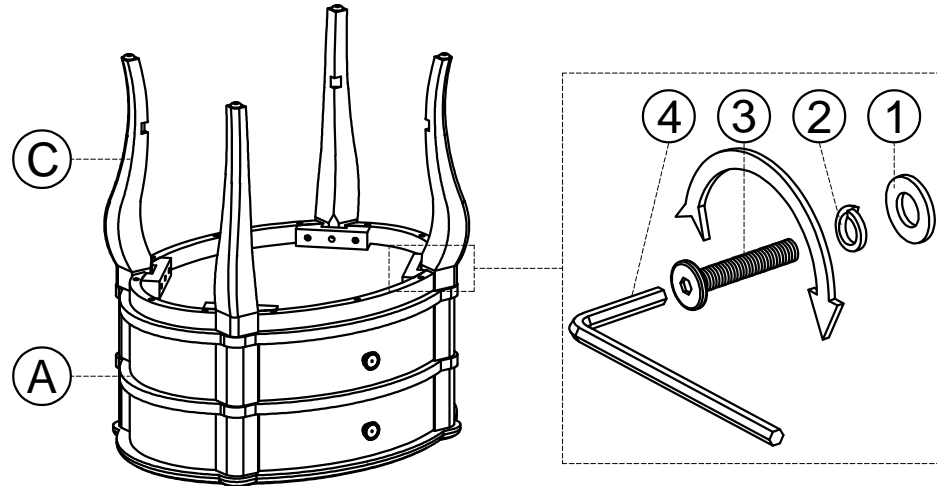


HARDWARE LIST

NO	QUANTITY	PICTUER	QTY
1	Washer		8
2	Lock Washer		8
3	Bolt M6x50		8
4	Key K4		1
5	Screw M4x35		4
6	Screwdriver	 (Not Included)	1

Step: 1

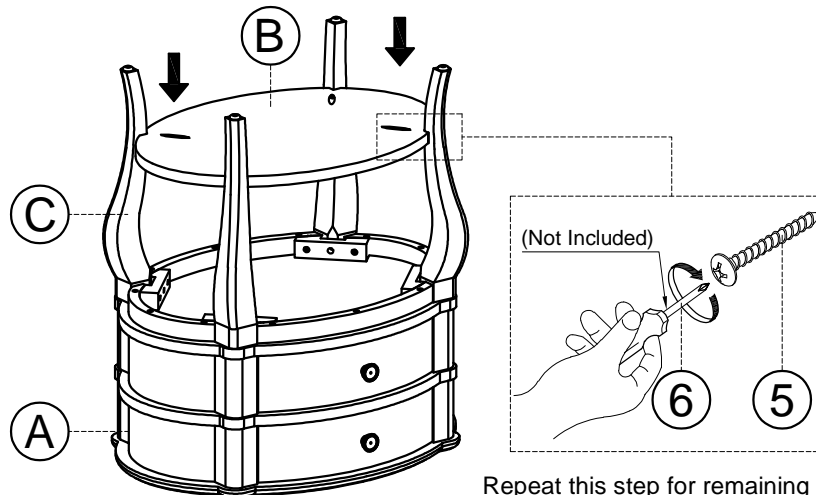
- Bolt the legs, do not tighten.



Repeat this step for remaining legs.

Step: 2

- Insert the shelf into the legs, align the shelf and legs evenly.
- Tighten the 4 bolts.
- Use a screwdriver to screw the 4 screws into the legs and tighten firmly.



Repeat this step for remaining legs.

Step: 3

